



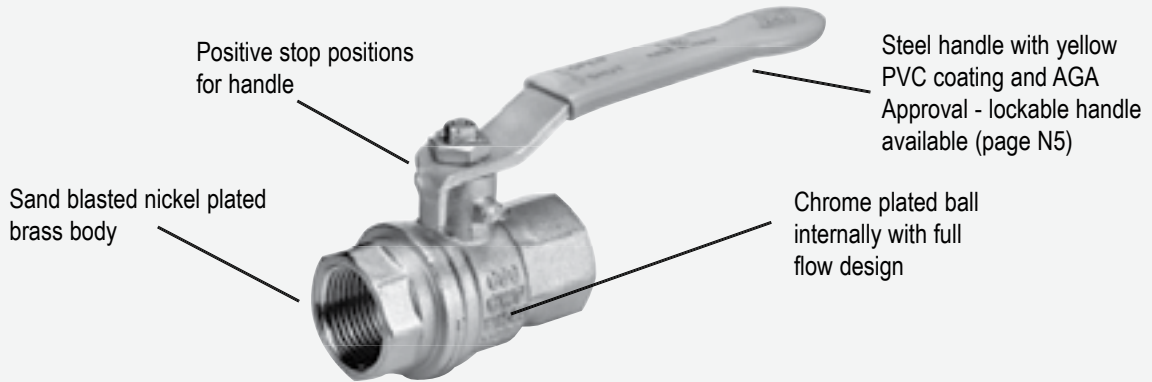


<p>Low Pressure 2-Way Ball Valve</p>	<p>2</p> 
<p>Low Pressure 3-Way Ball Valve</p>	<p>3</p> 
<p>Mini Ball Valve</p>	<p>4</p> 
<p>Locking and Twin Handles</p>	<p>5</p> 

LPBV-2W

2-WAY FULL BORE LOW PRESSURE BALL VALVE

AGA APPROVED



Description:

- Australian Gas Association (AGA) approved ball valve
- Cap sealed with high quality industrial adhesive
- Full port to DIN 3357 for maximum flow
- Handle stops on body to avoid stresses at the stem
- Handle clearly shows ball position
- EN 10226 BSPP female x female threads
- Dual sealing system allows valve to be operated in either direction making installation easier

Materials and Specifications:

- Nickel plated and hot forged / sand blasted brass body
- Brass according to EN 12165 and EN 12164 (formerly DIN 17660 and UNI 5705-65) specifications
- Pure PTFE self-lubricating seats
- Geomet® carbon steel handle with thick PVC dip coating
- Blowout-proof nickel plated brass stem
- FPM O-rings at the stem for maximum safety
- Silicone-free lubricant on all seals

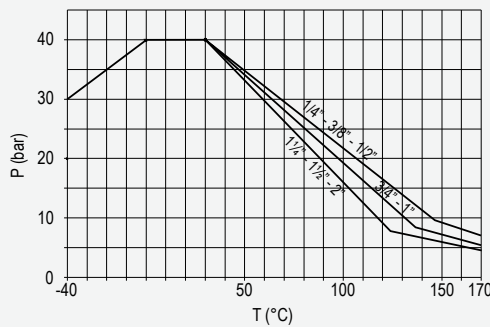
Features & Limitations:

- 40 bar (Kg/cm²) up to 2" non-shock cold working pressure
- Warning: freezing of the fluid in the installation may severely damage the valve
- Temp. Range -40°C to +170°C with standard seals (Refer pressure-temp graph)
- For use with dangerous fluids temperature rating is -20°C to +60°C and pressure rating is 5 bar

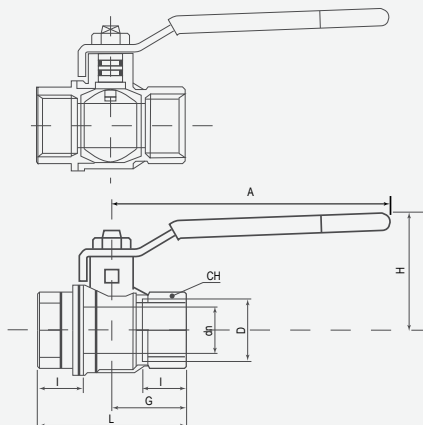
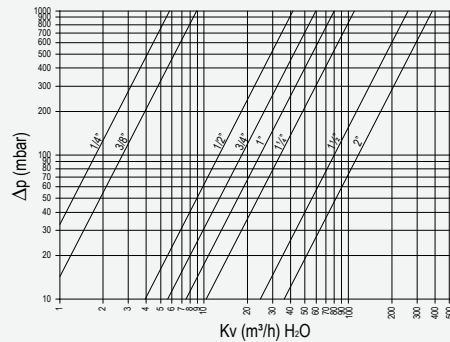
Common Uses:

- Water, oil, gas

Pressure - Temperature Graph



Pressure Drop Graph



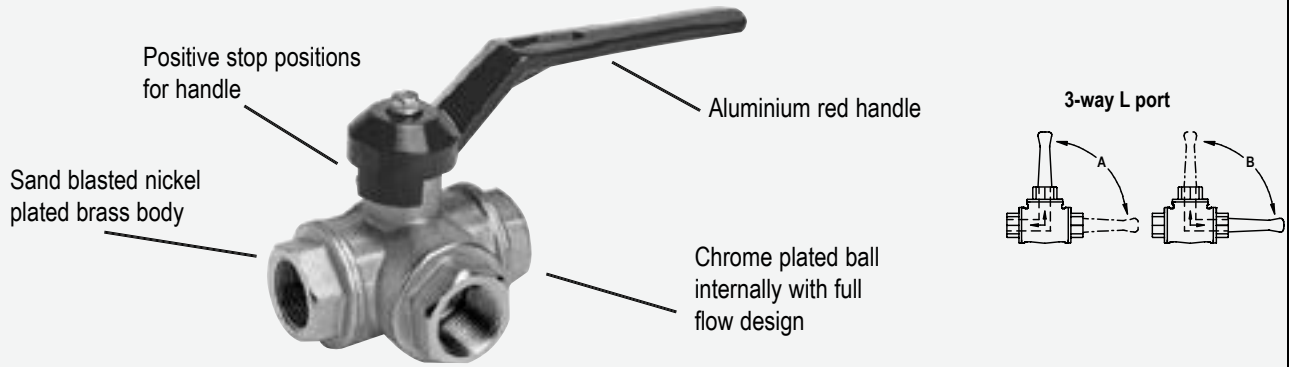
Product Code	Nominal Bore			W.P. * bar	Dimensions (mm)					
	Dash	D (inch)	DN		I	L	G	A	H	CH
LPBV-2W-006	4	1/4"	8	40	12	45	22.2	82	38	20
LPBV-2W-010	6	3/8"	10	40	12	45	22.5	82	38	20
LPBV-2W-013	8	1/2"	15	40	15.5	59	29.5	100	43	25
LPBV-2W-020	12	3/4"	20	40	17	64	32	120	50	31
LPBV-2W-025	16	1"	25	40	21	81	40.5	120	54	40
LPBV-2W-032	20	1 1/4"	32	40	23	93	46.5	158	73	49
LPBV-2W-038	24	1 1/2"	38	40	23	102	51	158	79	54
LPBV-2W-051	32	2"	50	40	26.5	121	60.5	158	86	68.5

* Working Pressure only 5 bar for dangerous fluids

LPBV-3W

3-WAY FULL BORE LOW PRESSURE BALL VALVE

L-PORT



Description:

- Full port to DIN 3357 for maximum flow
- Handle stops on body to avoid stresses at the stem
- Handle clearly shows ball position
- ISO 228 BSPP female x female threads
- Four seats design limits mixing of the various fluids in the system
- No metal-to-metal moving parts

Materials and Specifications:

- Nickel plated and hot forged / sand blasted brass body and caps
- Copper alloy brass according to EN 12165 and EN 12164 specifications
- Chrome plated brass ball for longer life
- Pure PTFE self-lubricating seats
- UNI 8858 cycle and torque tests performed
- Two NBR O-rings at the stem for maximum safety
- Silicone-free lubricant on all seals

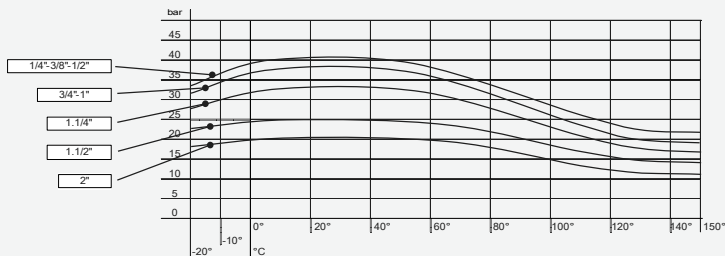
Features & Limitations:

- See Table for non-shock cold working pressure
- Extra port for lowest pressure drop
- Warning: freezing of the fluid in the installation may severely damage the valve
- Temp. Range -10°C to +120°C with standard seals (refer Pressure-Temp graph)
- Not to be used with dangerous gases in sizes larger than 25mm
- Not to be used with non-dangerous gases in sizes larger than 40mm.

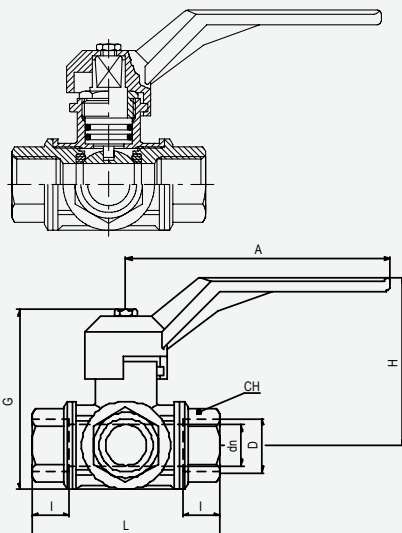
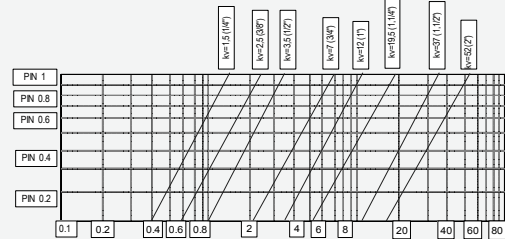
Common Uses:

- Water, oil, gas

Pressure - Temperature Graph



Pressure Drop Graph



Product Code	Nominal Bore		W.P.*	Dimensions (mm)						
	Dash	D (inch)		DN	I	L	G	A	H	CH
LPBV-3W-006-L	04	1/4"	8	See Graph	19	77	75	125	65	22
LPBV-3W-010-L	06	3/8"	10		19	77	75	125	65	22
LPBV-3W-013-L	08	1/2"	12		19	77	75	125	65	27
LPBV-3W-020-L	12	3/4"	20		23	92	91	145	83	34
LPBV-3W-025-L	16	1"	25		25	104	105	170	96	41
LPBV-3W-032-L	20	1 1/4"	32		27	118	115	170	102	50
LPBV-3W-038-L	24	1 1/2"	38		31	138	128	170	109	57
LPBV-3W-051-L	32	2"	50		36	162	165	260	139	70

* Working Pressure only 5 bar for dangerous fluids

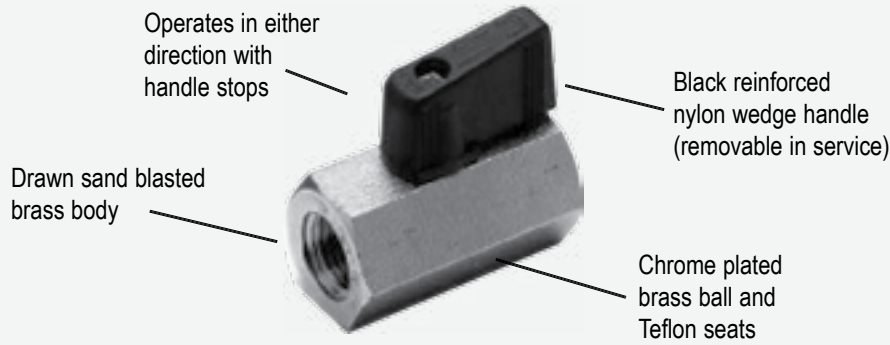


This page is part of a complete catalogue containing technical and safety data. All data must be reviewed when selecting a product. Pirtek reserve the right to change technical specifications without notice

LPMV

2-WAY MINI BALL VALVE

FEMALE PORTS OR MALE / FEMALE PORTS



Description:

- Handle clearly shows ball position
- ISO 228 BSPP threads
- Extremely compact design
- No metal-to-metal moving parts
- Dual sealing system allows valve to be operated in either direction for installation flexibility
- Seal tested for maximum safety
- No maintenance ever required

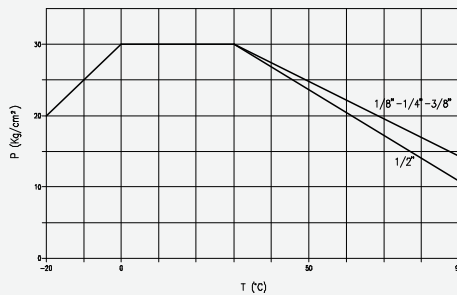
Materials and Specifications:

- Drawn sand blasted brass body
- Finest brass according to EN 12164 specifications
- Chrome plated brass ball for longer life
- Pure PTFE self-lubricating seats with flexible lip design
- Blowout proof brass stem
- FPM O-ring at the stem
- Black reinforced nylon wedge handle
- Silicon free lubricant

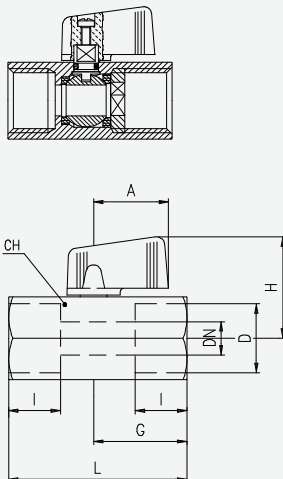
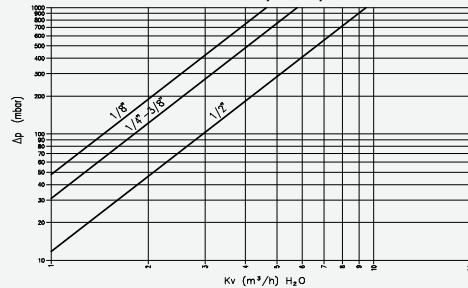
Features & Limitations:

- 30 bar non-shock cold working pressure
- Warning: freezing of the fluid in the installation may severely damage the valve
- Temp. Range -20°C to +90°C (refer to pressure - temp graph)

Pressure -Temperature Graph



Pressure drop Graph

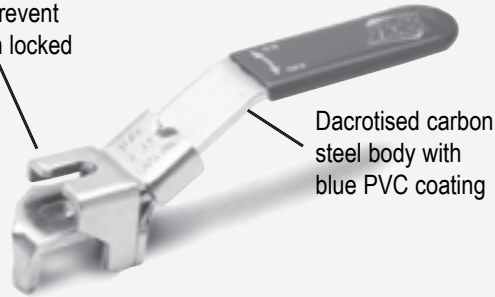


Product Code	Nominal Bore			Ports	Dimensions (mm)					
	Dash	D (inch)	DN		I	L	G	A	H	CH
LPMV-FF-003	02	1/8"	6	F-F	10	41.5	22	22.5	31	21
LPMV-FF-006	04	1/4"	8		11	41.5	22	22.5	31	21
LPMV-FF-010	06	3/8"	10		11	41.5	22	22.5	31	21
LPMV-FF-013	08	1/2"	12		13	49	26	22.5	33	25
LPMV-MF-003	02	1/8"	6	M-F	10	41.5	22	22.5	31	21
LPMV-MF-006	04	1/4"	8		11	41.5	22	22.5	31	21
LPMV-MF-010	06	3/8"	10		11	41.5	22	22.5	31	21
LPMV-MF-013	08	1/2"	12		13	49	26	22.5	33	25

LPLH

LOCKABLE HANDLE FOR LOW PRESSURE BALL VALVE

Plate head covers the fixing nut to prevent removal when locked



Lockable open or closed

Description:

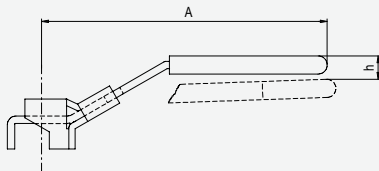
- Handle that can be retrofitted to 2 way ball valves
- Suits sizes from 1/4" to 2" diameter
- Allows either locking open or closed

Materials and Specifications:

- Dacrotised carbon steel
- Blue PVC coating

Features & Limitations:

- Requires a padlock size with 9/32" diameter shackle (7.14 mm)



Dimension A shows handle length from the centre of the stem
Dimension h is the height above the standard handle position when assembled on the valves

Product Code	Suits Valves	Dimensions (mm)	
	2-Way	A	H
LPLH-006-013	LPBV-2W-006 LPBV-2W-010 LPBV-2W-013	96	8.5
LPLH-020-025	LPBV-2W-020 LPBV-2W-025	117	9.5
LPLH-032-051	LPBV-2W-032 LPBV-2W-038 LPBV-2W-051	156.5	4

LPTH

TWIN (BUTTERFLY) HANDLE FOR LOW PRESSURE BALL VALVE



Description:

- Twin handle that can be retrofitted to 2 way ball valves
- Suits sizes from 1/4" to 1" diameter

Materials and Specifications:

- Dacrotised carbon steel
- Yellow PVC coating

Features & Limitations:

Product Code	Suits Valves	Dimensions (mm)	
	2-Way	A	H
LPTH-006-013	LPBV-2W-006 LPBV-2W-010 LPBV-2W-013	96	8.5
LPTH-020-025	LPBV-2W-020 LPBV-2W-025	117	9.5

This Page is Intentionally Blank